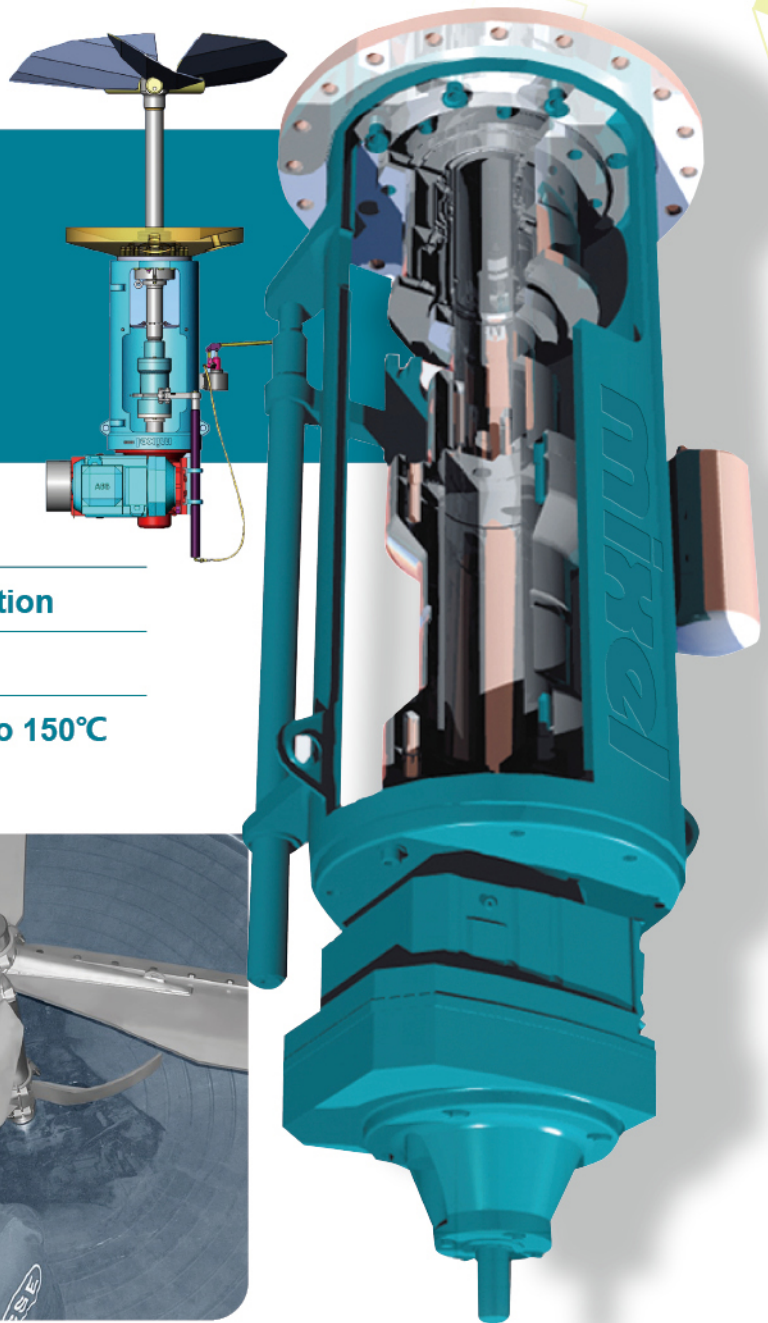


# BOTTOMJET™

## BOTTOM-ENTRY AGITATOR WITH SUPPORT & MECHANICAL SEAL

- Satisfy a variety of mixing requirement
- Optional full tank maintenance system
- Optional CIP cleaning satisfied

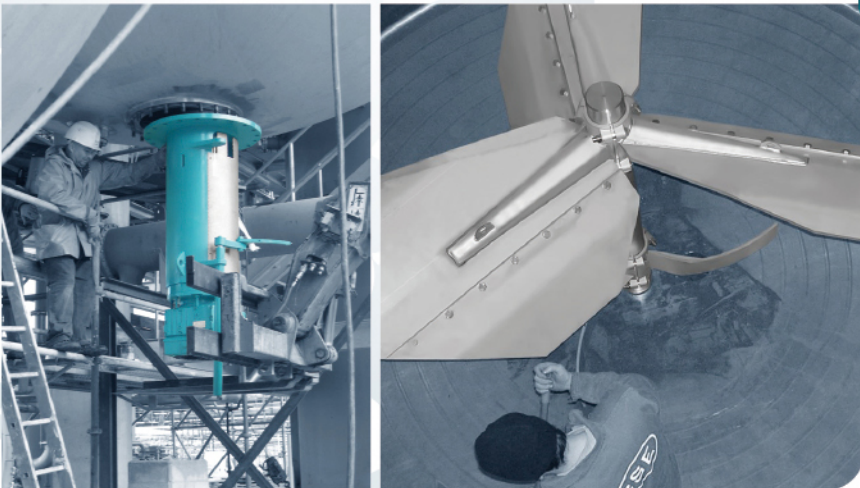


**Max. power: 200kW**

**Specification: JET bottom-entry installation**

**Seal: Mechanical**

**Operation surroundings: Normal temp to 150°C  
Vaccum to 16bar**



**Applications: Petrochemical**