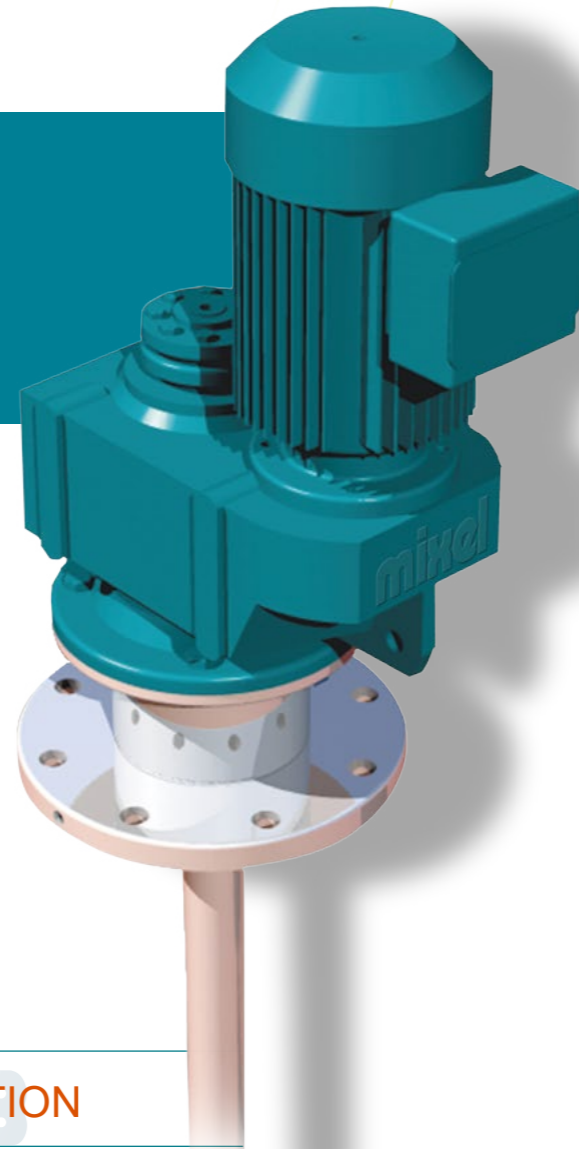


RIG™

PHARMACEUTICAL GRADE TOP-ENTRY AGITATOR

- All applications in ultra-clean media
- Immediate disinfection-clean and disinfection could be done without disassembly the agitator in the mixing tank reactor

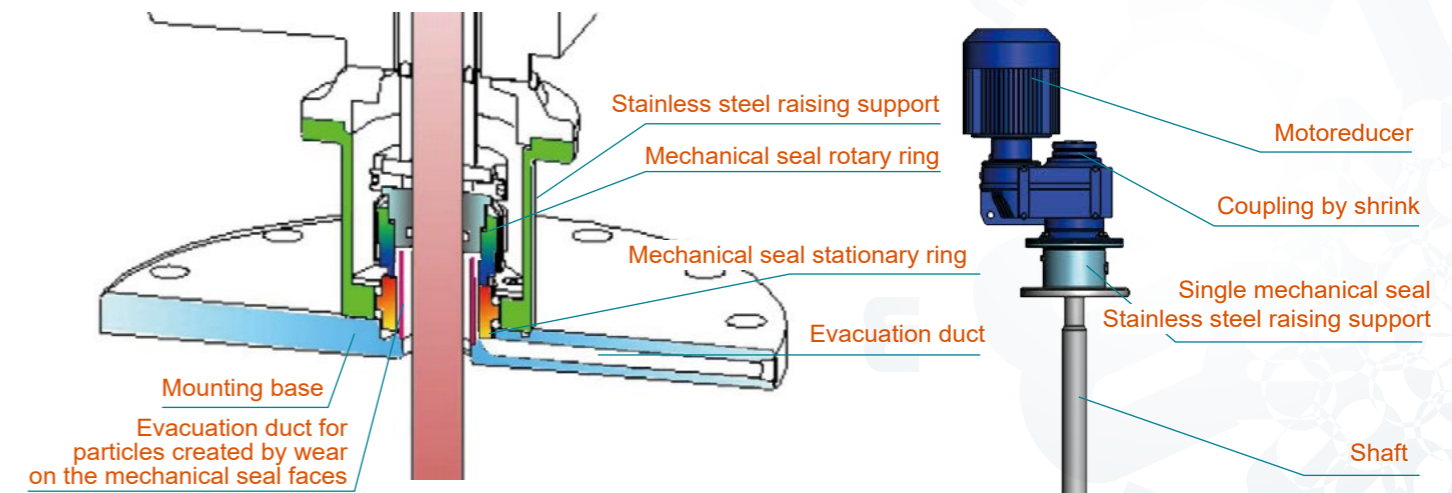


PHARMACEUTICAL GRADE

MECHANICAL SEAL DEBRIS COLLECTION

HIGH TEMPERATURE DISINFECTION & STERILIZATION

Applications: Agro-food and Pharmacy, Fine chemical



► Material

- 316L Stainless steel and other materials

► Sealing system

- Single cartridge mechanical seal
- Mechanical seal could have evacuation duct for particles created by wear on the mechanical seal faces. Avoid external substances pollute the inside of the mixing tank reactor

► Technical characteristics

- High standard stainless steel raising support contains single cartridge mechanical seal
- Mounting base with evacuation duct can remove the particles created by wear on the mechanical seal faces

